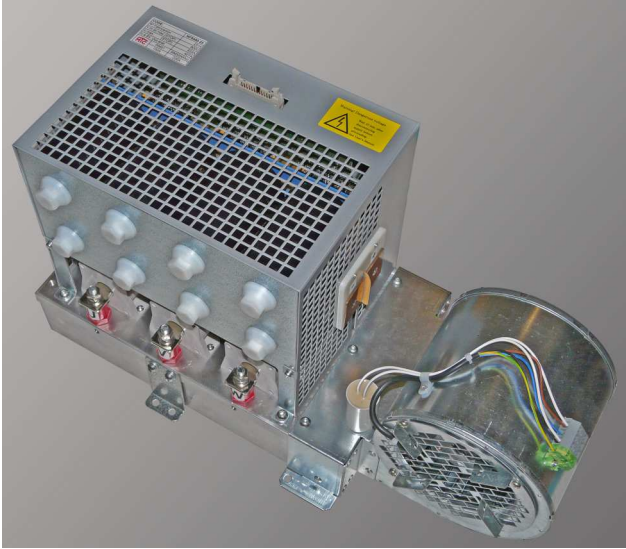


## DESCRIPTION

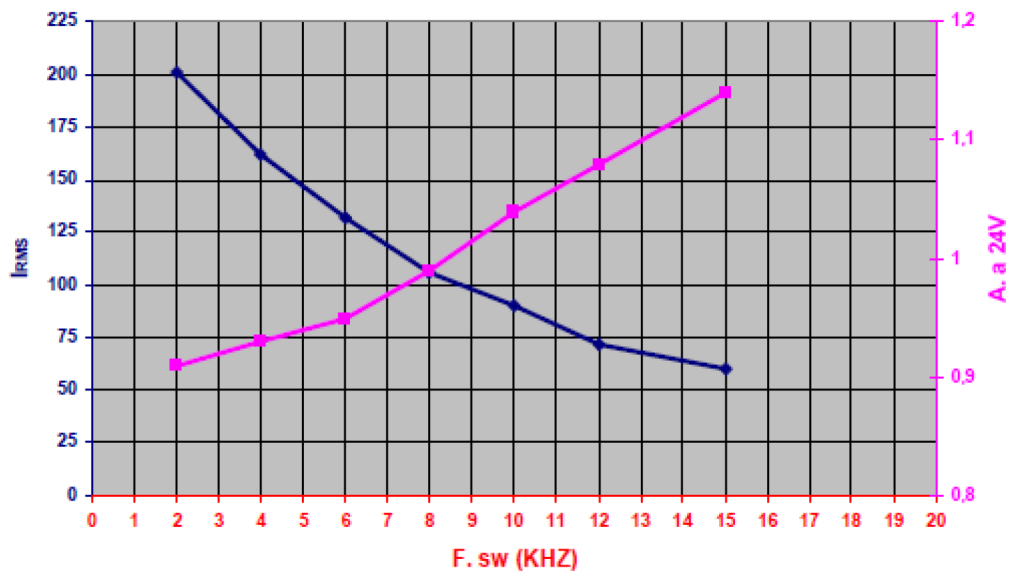


**110 kW IGBT power stack** with excellent performance for load control or grid regeneration. It is composed by:

- $V_{SUPPLY}$  24V.
- $V_{BUS (MAX)}$  800V<sub>DC</sub>.
- $V_{BUS}$  measurement.
- Internal IGBT measurement.
- 3 phases current measurement
- Connection with control card with 26<sub>PIN</sub> flat cable.
- Capacitor bank 6.600  $\mu$ F
- Bus connection on both sides
- Fan connection on both sides.
- A wide range of measurement within the same size.
- 100% fully electrically tested in production
- IGBT Mitsubishi CM400DY-24NF
- IGBT Driver Dutt design

Considered Area	Dimensions <sub>(mm)</sub> (Without fan)			Weight <sub>(kg)</sub>
	Height	Width	Length	
Total necessary Area	290	255	310	17,4kg
Heatsink	77	215	310	

## FRECUENCY-CURRENT (RMS) & FRECUENCY-CONSUMPTION



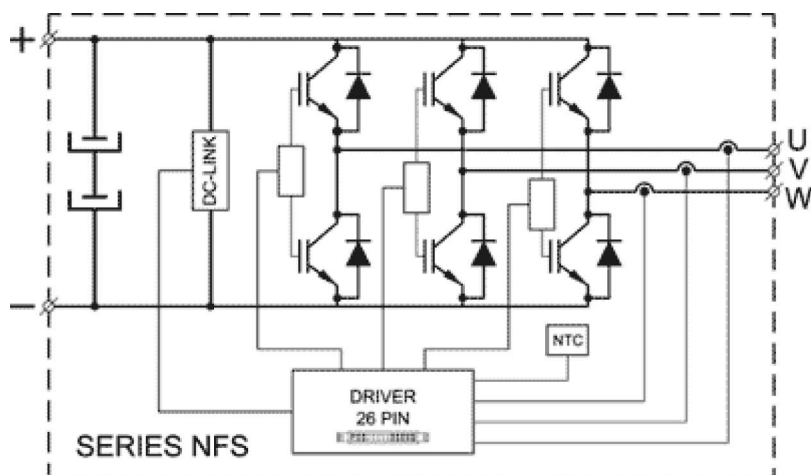
( $V_{BUS}=560V$ ,  $T_{AMB.}=40^{\circ}C$ ,  $F.out =50Hz$ , Fan SKF 16B,  $Pressure_{ATM}=1010mbar$ )

# NFS 400

## APPLICATIONS

- Motor control
- UPS
- Solar inverter
- Energy Storage
- Oil and gas pumps

## TECHNICAL DIAGRAM



## CUSTOMIZATION

All modules are 100% designed and manufactured in our facilities in Guipuzcoa (Spain). Power stacks (including drivers) or their respective control systems can be adapted according to the application.

Each project is different, please consult our technical team [sales@duttelelectronics.com](mailto:sales@duttelelectronics.com)

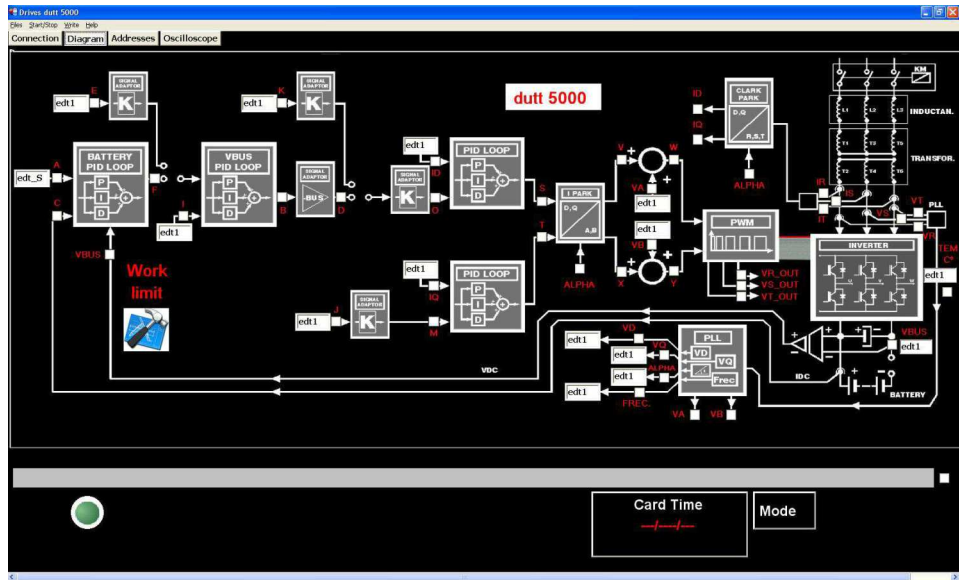
## OPTIONAL CONTROL

All Dutt power stacks are compatible with any control system (26 PIN flat cable).

Dutt also design control and software solutions fully compliant with their power stacks.

The power stacks control may be optionally performed by the inverter control board Dutt 5000, designed especially for applications with grid regeneration or for individual control of a motor/pump.

For applications that require simultaneous and precise control of multiple motors or pumps, the MTC 4031 control board is highly recommend. This is capable of controlling with the highest precision, DC , asynchronous and brushless motors.



Dutt 5000 Control panel



MTC 4031 Oscilloscope panel