

DESCRIPTION

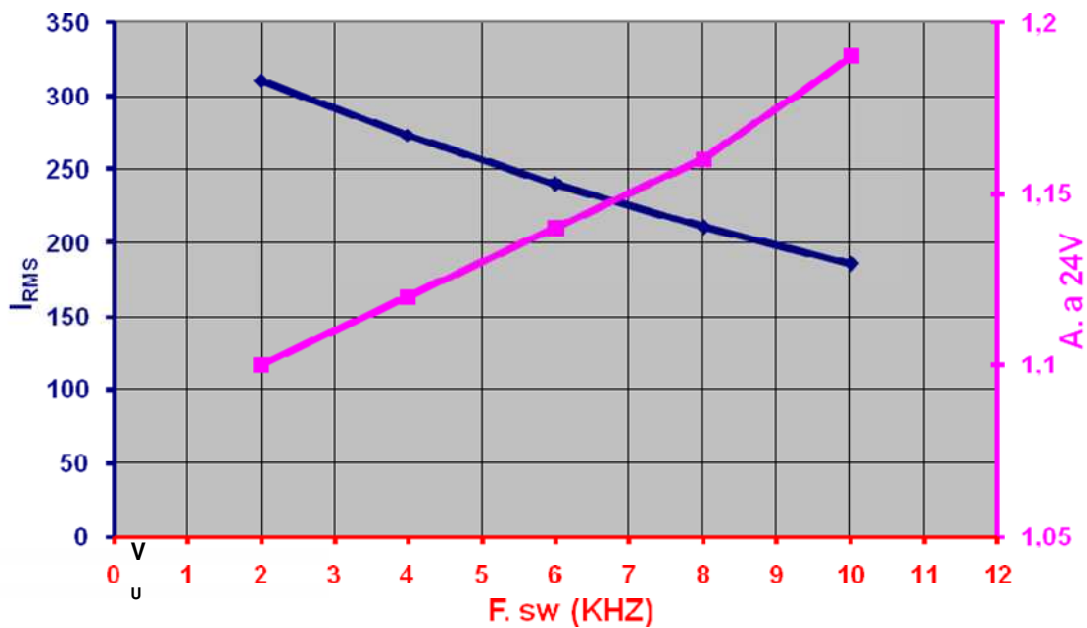


150 kW IGBT power stack with excellent performance for load control or grid regeneration. It is composed by:

- V_{SUPPLY} 24V. $V_{BUS (MAX)}$ 800V_{DC}.
- V_{BUS} measurement.
- Internal IGBT measurement.
- 3 phases current measurement
- Connection with control card with 26_{PIN} flat cable.
- Capacitor bank 6600 μ F
- Output to phases through connectors Fan connection on both sides.
- A wide range of measurement within the same size. 100% fully electrically tested in production
- IGBT Infineon FF450R12KT4 IGBT Driver Dutt design

Considered Area	Dimensions _(mm) (Without fan)			Weight _(Kg)
	Height	Width	Length	
Total necessary Area	315	518	310	20Kg.
Heatsink	98	215	277	

FREQUENCY-CURRENT (RMS) & FREQUENCY-CONSUMPTION



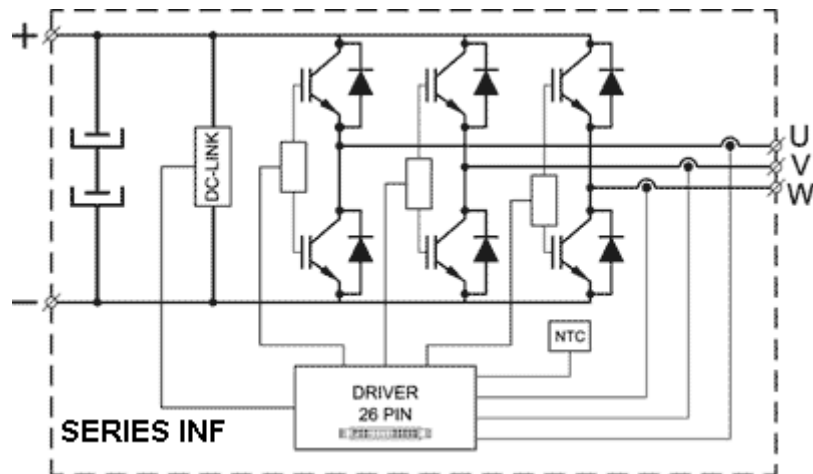
560V, $T_{AMB.}=40^{\circ}C$, F.out =50Hz, Fan SKF 16B, Pressure_{ATM}=1010mbar)

INF 450

APPLICATIONS

Motor control
UPS
Solar inverter
Energy Storage
Oil and gas pumps

TECHNICAL DIAGRAM



CUSTOMIZATION

All modules are 100% designed and manufactured in our facilities in Guipuzcoa (Spain). Power stacks (including drivers) or their respective control systems can be adapted according to the application.

Each project is different, please consult our technical team dutt@dutteletronics.com

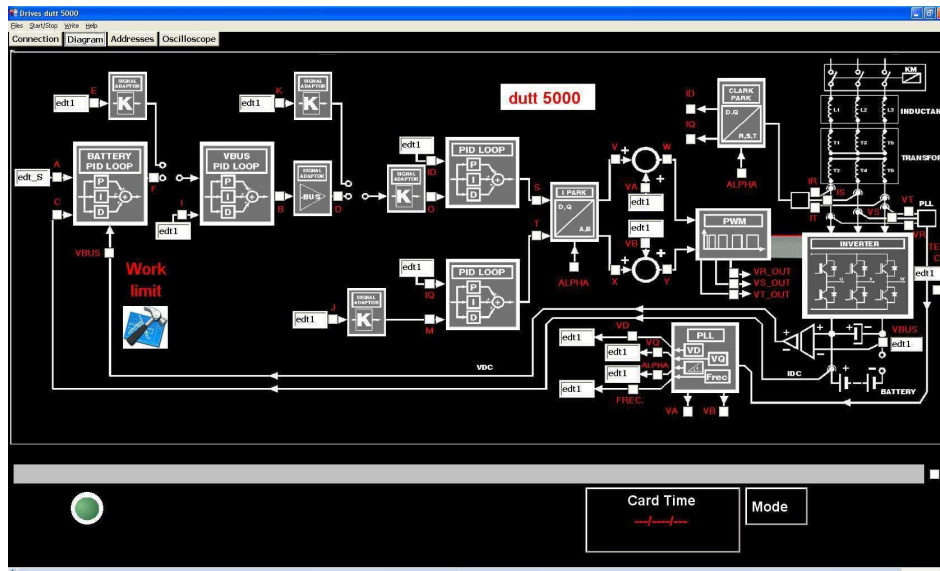
OPTIONAL CONTROL

All Dutt power stacks are compatible with any control system (26 PIN flat cable).

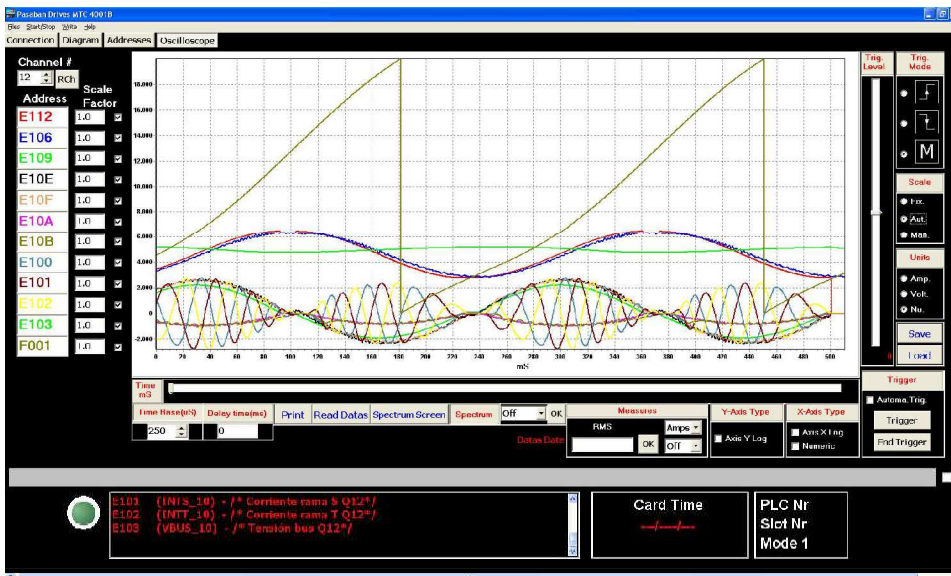
Dutt also design control and software solutions fully compliant with their power stacks.

The power stacks control may be optionally performed by the inverter control board Dutt 5000, designed especially for applications with grid regeneration or for individual control of a motor/pump.

For applications that require simultaneous and precise control of multiple motors or pumps, the MTC 4031 control board is highly recommend. This is capable of controlling with the highest precision, DC , asynchronous and brushless motors.



Dutt 5000 Control panel



MTC 4031 Oscilloscope panel