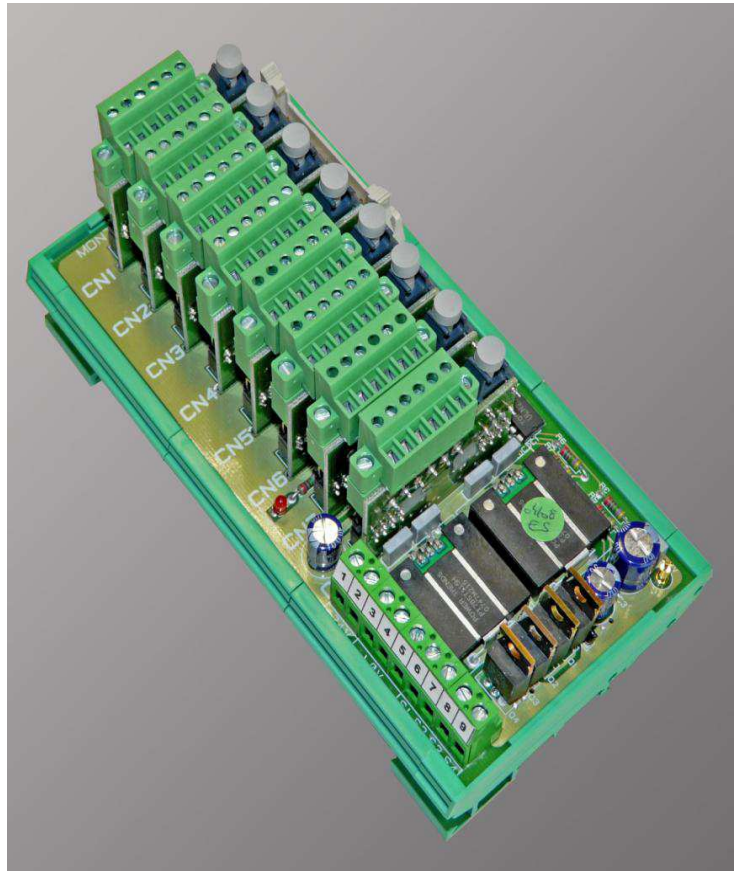


INTERFACE FAST COUNTER BOARD (MTC-3053)

Description

Interface with I7O channels in real time.
Its frontal part is made up of:

- 24V Supply
- 8 input channels with own supply: each of them need a MTC-3054 interface board, which has three possible input connexion types (by level, differential and optical fiber (for signals that need great immunity to noise)). The board is located over two female base.
- 4 output channels.
- Flat cable to connect input board with MTC-3052 fast counter.
- Adaptable to DIN 35 (160x82mm) rail.



Application

Complex systems that require precision and/or optimisation of real time results.

Characteristics

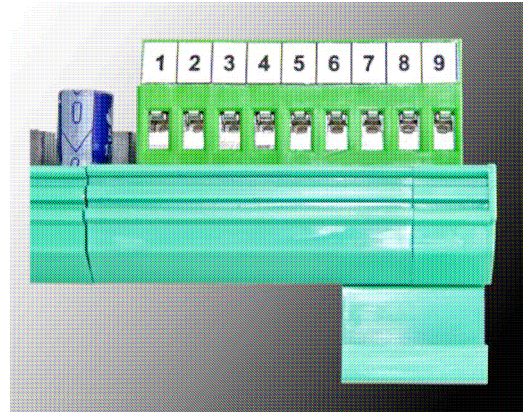
- ✓ Connexion with fast counter board through 26_{PIN} flat cable.
- ✓ Output for extern devices.
- ✓ Inputs with own supply for extern detectors (inductive sensors, photocells...)
- ✓ Differential inputs for encoder with own supply.
- ✓ Optical fiber inputs for encoder signals.

OUTPUT CHANNELS

Located on the base of the interface board. From 6 to 9 are outputs to transistor.

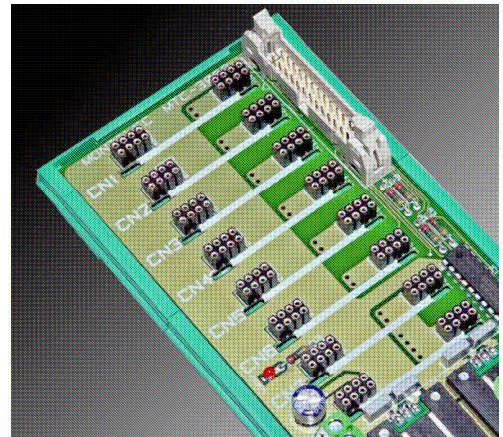
Outputs through Mosfet (max. 2A)

- 1...2: 24V_{DC} supply.
- 3...5: common mass.
- 6...9: outputs to transistor through Mosfet (max 2A)



INPUT CHANNELS

Located on the base of the interface board, they are called CN1...Cn8. Each of them has 2 female connectors, in each pair of connectors is placed a MTC-3054 interface board.



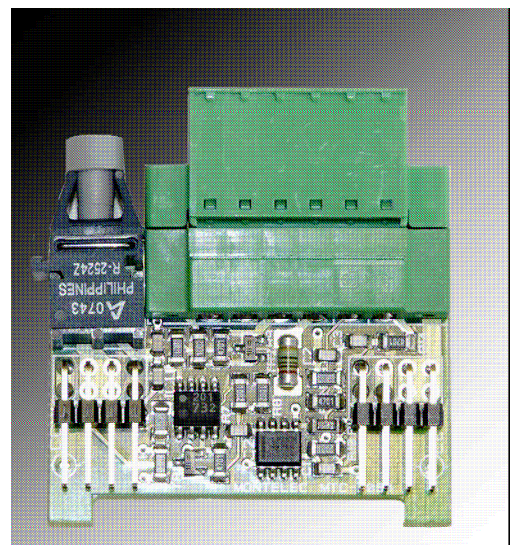
MTC-3054 (interface board)

The inputs can be connected on several ways:

- by level (+24V)
- differential A and B (+15V)
- optical fiber...

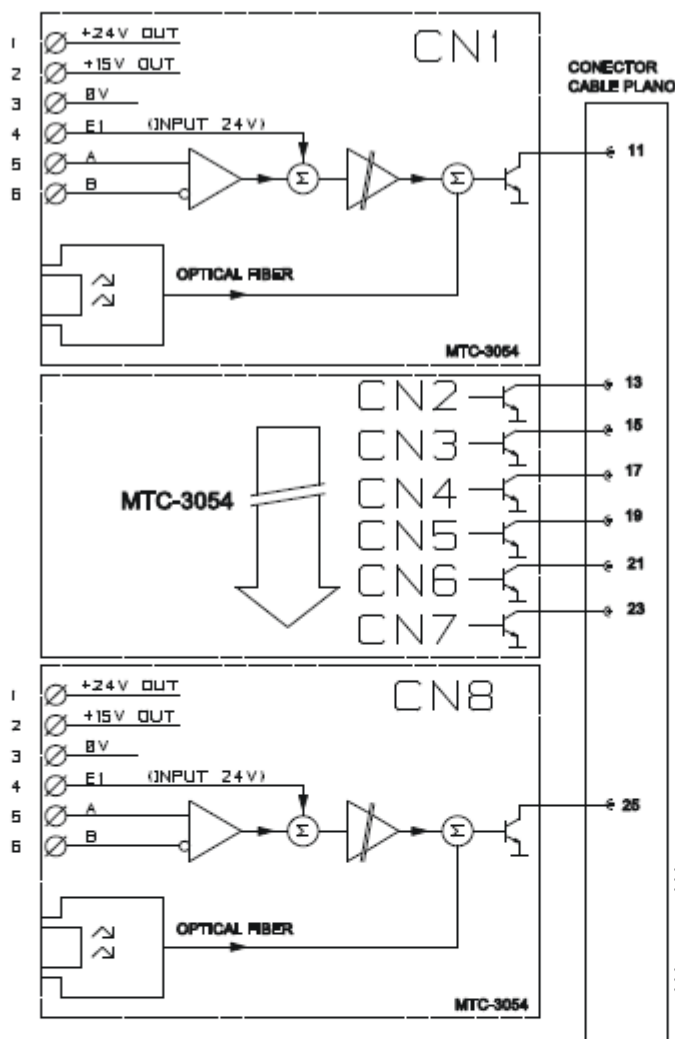
For each interface board it is possible to connect one input.

| Terminal N° | Description |
|-------------|----------------------|
| 1 | OUTPUT +24V |
| 2 | OUTPUT +15V |
| 3 | 0 V |
| 4 | E1 Input +24V |
| 5 | A differential input |
| 6 | B differential input |



Sketch MTC-3053

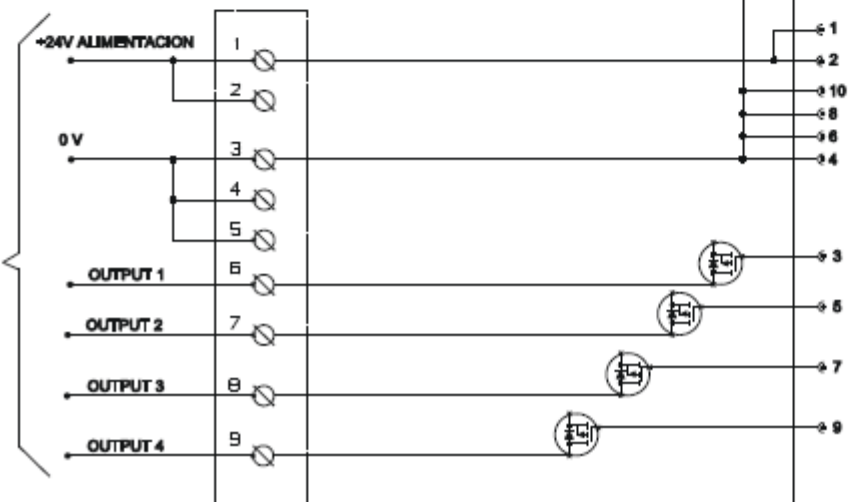
MTC-3054 PLACAS ENTRADA BORNA/FIBRA



CONECTOR CABLE PLANO

CABLE PLANO 26 PINES

BORNAS MTC-3053



MTC-3052 TARJETA CONTADORES RAPIDOS