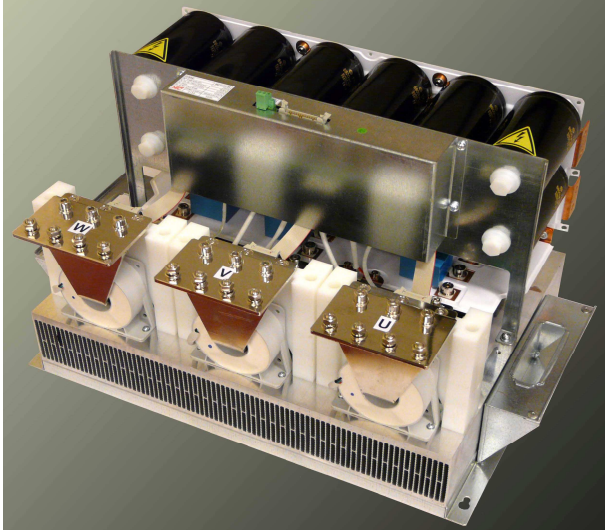


DESCRIPTION

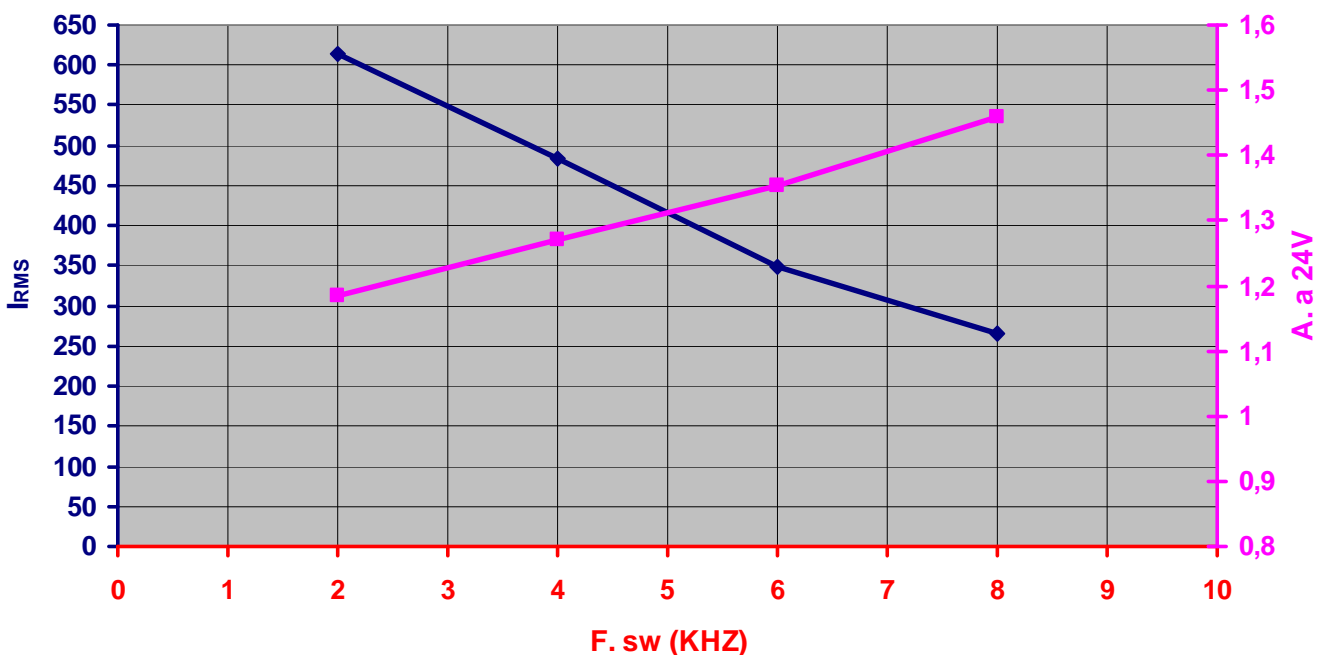


325 kW IGBT power stack with excellent performance for load control or grid regeneration. It is composed by:

- V_{SUPPLY} 24V.
- $V_{BUS (MAX)}$ 800V_{DC}.
- V_{BUS} measurement.
- Internal IGBT measurement.
- 3 phases current measurement
- Connection with control card with 26_{PIN} flat cable.
- Capacitor bank 20.400 μ F
- Double DC connection per module.
- Output to phases through screws
- High efficiency heatsink.
- 100% fully electrically tested in production
- IGBT Infineon FF1400R12IP4
- IGBT Driver Dutt design

Considered Area	Dimensions _(mm) (Without fan)			Weight _(kg)
	Height	Width	Length	
Total necessary Area	365	635	400	51.2Kg.
Heatsink	84	510	380	

FRECUENCY-CURRENT (RMS) & FRECUENCY-CONSUMPTION



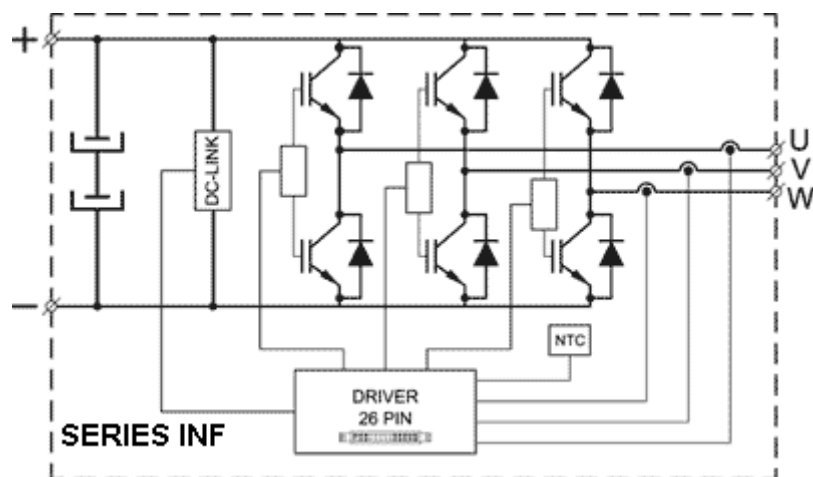
(V_{BUS} =560V, $T_{AMB.}$ =40°C, F.out =50Hz, Fan FQK10A-2DH48FK, Pressure_{ATM}=1010mbar)

INF 1400

APPLICATIONS

- Motor control
- UPS
- Solar inverter
- Energy Storage
- Oil and gas pumps

TECHNICAL DIAGRAM



CUSTOMIZATION

All modules are 100% designed and manufactured in our facilities in Guipuzcoa (Spain). Power stacks (including drivers) or their respective control systems can be adapted according to the application.

Each project is different, please consult our technical team sales@dutteletronics.com

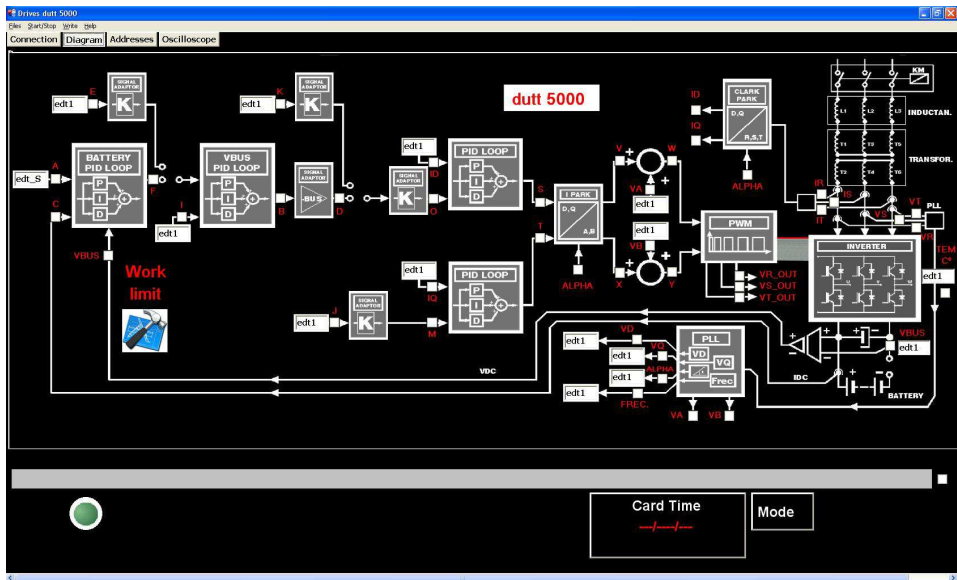
OPTIONAL CONTROL

All Dutt power stacks are compatible with any control system (26 PIN flat cable).

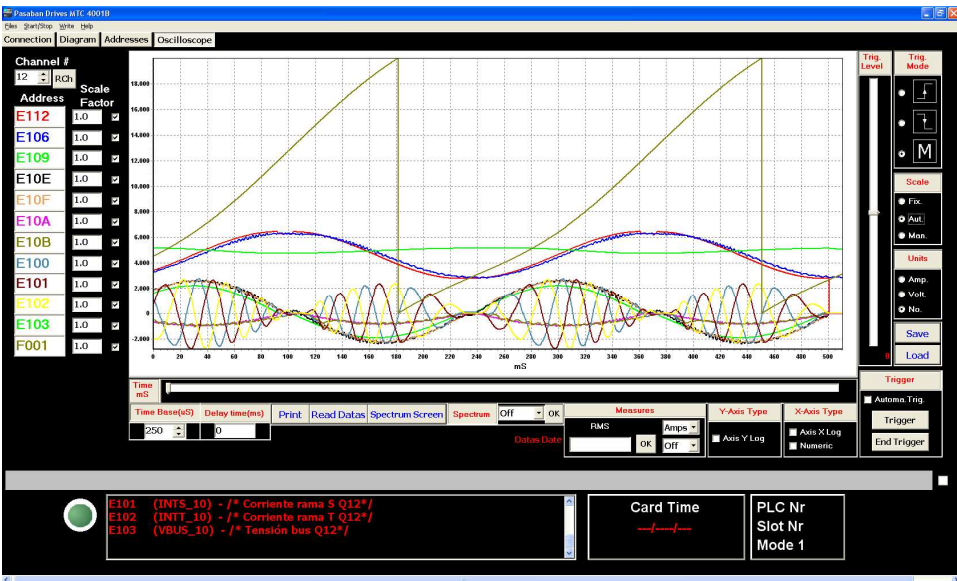
Dutt also design control and software solutions fully compliant with their power stacks.

The power stacks control may be optionally performed by the inverter control board Dutt 5000, designed especially for applications with grid regeneration or for individual control of a motor/pump.

For applications that require simultaneous and precise control of multiple motors or pumps, the MTC 4011 control board is highly recommend. This is capable of controlling with the highest precision, DC , asynchronous and brushless motors.



Dutt 5000 Control panel



MTC 4011 Oscilloscope panel