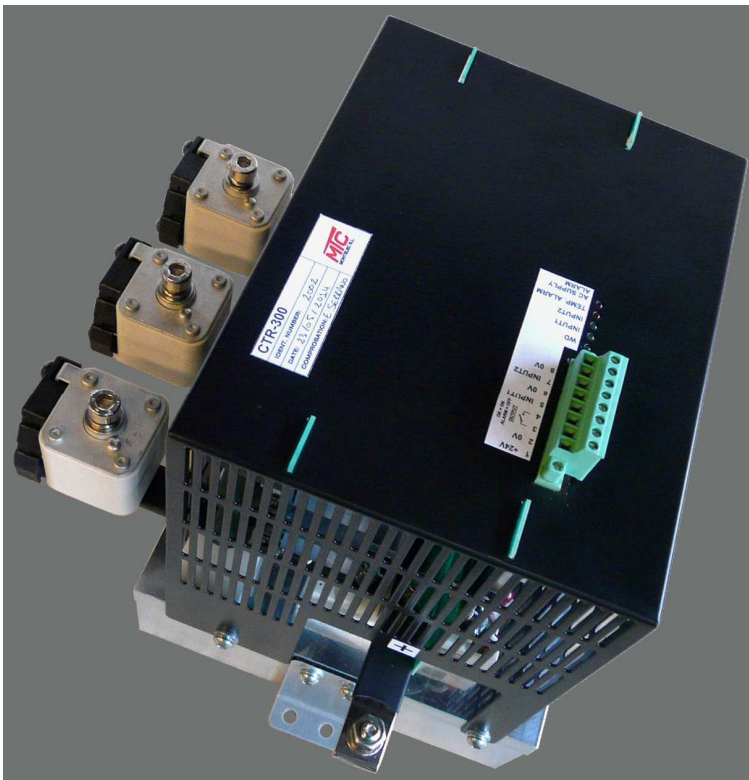


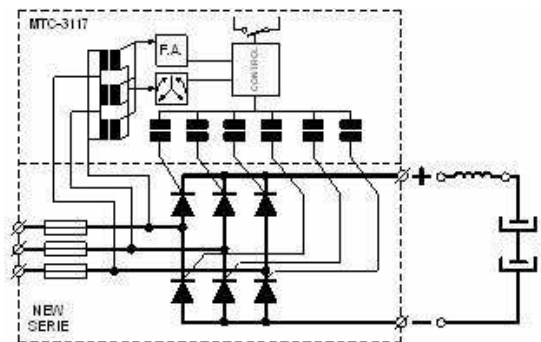
DESCRIPTION

- The equipment realizes a progressive load, we avoid the over current peak at the beginning and during the load.
- It is necessary the placement of an inductance at the input and output of the equipment to fulfill the EMC requirements.
- Requires 24 v external power supply for the equipment control
- There is a signal relay, its contact remains closed whenever the 3 input phases are present and with not over heating on it.
- In order to minimize the number of models, the smallest equipment CTR 300, with lower ventilation, less current is obtained , but in smaller space.



APPLICATION

Supply to equipments with capacitors
CTR = Controllable, Thystor, Rectifiers



ADDITIONAL DATA

($V_{IN}=400V$, $T_{AMB.}=40^{\circ}C$, $Pressure_{ATM}=1010mbar$)

$V_{IN_ADMISIBLE (AC)} = 380V \div 500V$												
Code	Fuse (A)		(A*A)*s mod. Diodo/thyristor	$I_{INPUT RMS}$ (A)		$I_{OUT DC}$ (A)	Fan	$Dissip. dimens$ (mm) (without fan)				
	Incorporated	Ref		3x	164			200	RG-160-28	Long	Wide	
CTR 300	350	170M3468	125.000			185	330			SKF-16B	200	215
CTR 500	550	170M3472	320.000			450	550			SKF-16B	200	215
CTR 800	800	170M4468	1.125.000			675	825			SKF-16A	300	260
OTROS	Bajo pedido.											